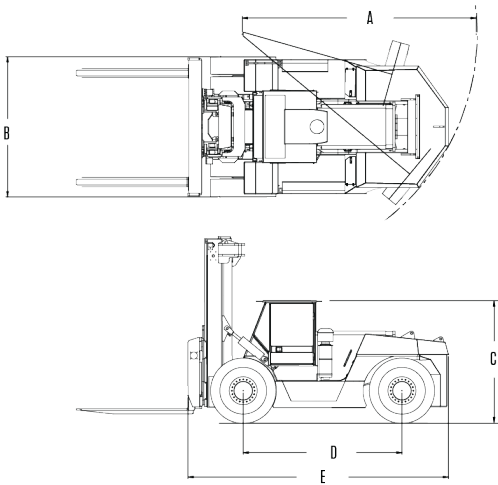


WIGGINS YARD eBULL

W700YXXLeH



Chassis Data



W700YXXLeH

A	B	C	D	E
275"	134"	150"	190"	280"

Specifications

Model/Capacity:	W700YXXLeH
OAL (E)	280"
Wheelbase (D)	190"
Width (B)	134"
Min. Out Turn Radius (A)	275"
Fork Dimensions	5" x 12" x 96"
Weight	102000
Tires - Size/Drive	16.00x25
Tires - Size/Drive	16.00x25

Battery Capacity	Lithium Ion - 150kWh Usable
Onboard Hydrogen Capacity	22kg
Drive Axle	PRC3806

Mast Data

Model/Capacity:	W700YXXLeH
Lift Height	156"
Overall Lowered Height	183"
*Other Mast Lift Heights Available	

Full Rated Capacities

W700YXXLe	70,000 lbs @ 48" LC
-----------	---------------------

DEALER INFORMATION:

XLLifts

info@xlliftsinc.com
 www.XLLiftsinc.com
 Sales: 805.889.8487
 General inquiries: 805.765.6099