

WIGGINS YARD eBULL

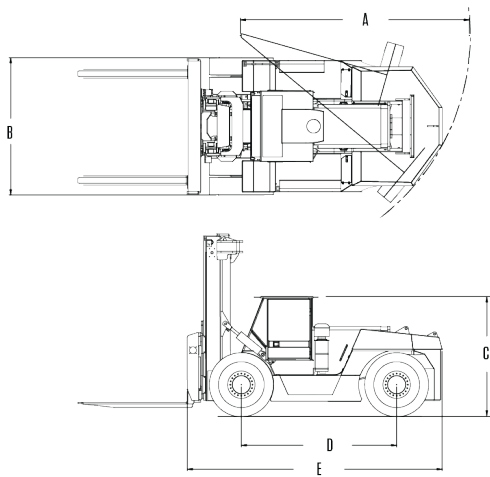
W450/550/600YXXLe



Specifications

Model/Capacity:	W450/550/600YXXLe
OAL (E)	255"
Wheelbase (D)	170"
Width (B)	134"
Min. Out Turn Radius (A)	250"
Fork Dimensions	4.5" x 12" x 96"
Weight	80000 / 87000 / 95000
Tires - Size/Drive	14.00x25 / 16.00x25
Tires - Size/Drive	14.00x25 / 16.00x25

Chassis Data



W450/550/600YXXLe

A	B	C	D	E
250"	134"	150"	170"	255"

Mast Data

Model/Capacity:	W450/550/600YXXLe
Lift Height	156"
Overall Lowered Height	168"
*Other Mast Lift Heights Available	

Full Rated Capacities

W450YXXLe	45,000 lbs @ 48" LC
W550YXXLe	55,000 lbs @ 48" LC
W600YXXLe	60,000 lbs @ 48" LC

DEALER INFORMATION:

XLLifts

info@xlliftsinc.com
 www.XLLiftsinc.com
 Sales: 805.889.8487
 General inquiries: 805.765.6099