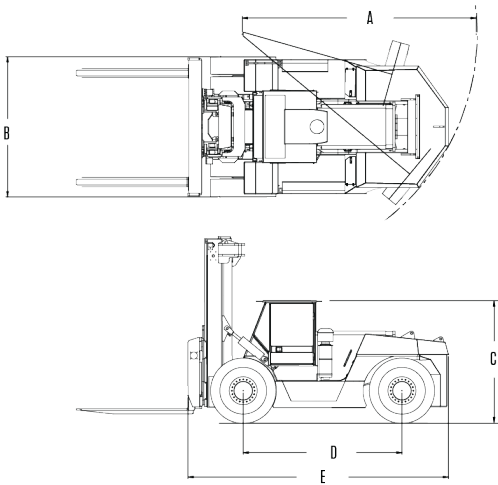


WIGGINS YARD eBULL

W200/220/260Ye



Chassis Data



W200/220/260Ye

A	B	C	D	E
166"	102"	116"	120"	182"

Specifications

Model/Capacity:	W200/220/260Ye
OAL (E)	182"
Wheelbase (D)	120"
Width (B)	102"
Min. Out Turn Radius (A)	166"
Fork Dimensions	2.5" x 7" x 72"
Weight	29000 / 31000 / 35000

Tires - Size/Drive	10.00x20
Tires - Size/Drive	10.00x20

Battery Capacity	Lithium Ion - 75kWh Usable
Drive Axle	Kessler D81

Mast Data

Model/Capacity:	W200/220/260Ye
Lift Height	156"
Overall Lowered Height	136"
*Other Mast Lift Heights Available	

Full Rated Capacities

W200Ye	20,000 lbs @ 24" LC
W220Ye	22,000 lbs @ 24" LC
W260Ye	26,000 lbs @ 24" LC

DEALER INFORMATION:

XLLifts

info@xlliftsinc.com
 www.XLLiftsinc.com
 Sales: 805.889.8487
 General inquiries: 805.765.6099